

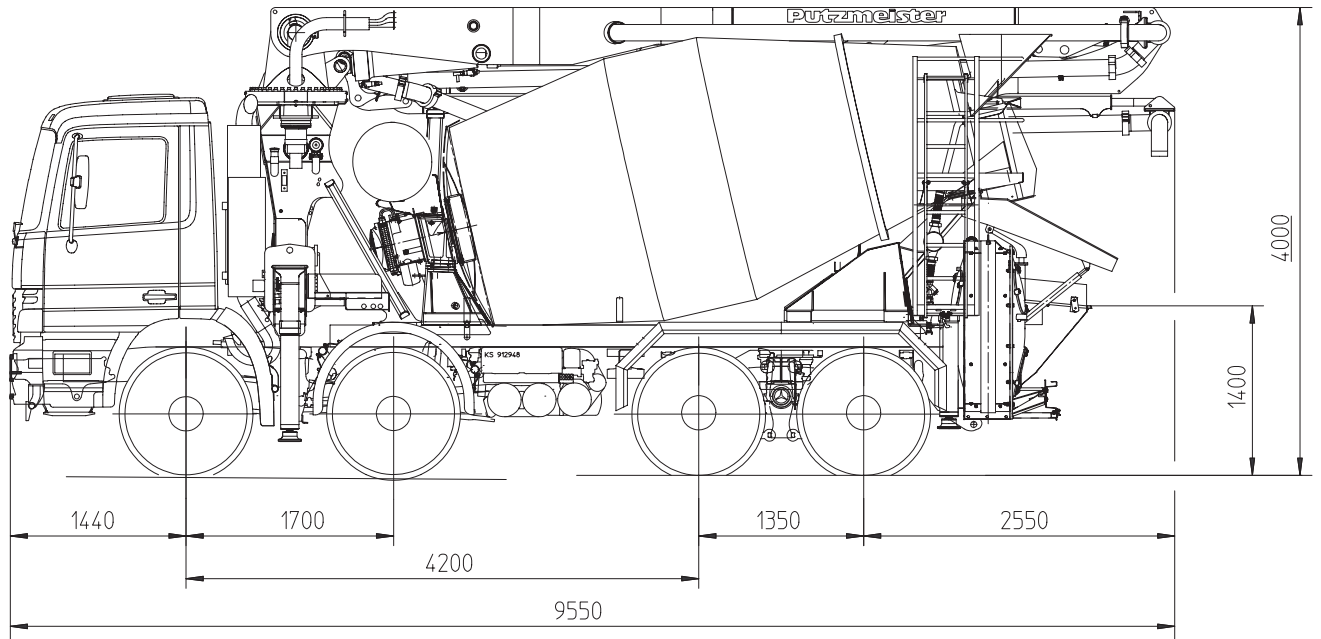
**PUMI<sup>®</sup>**

**24-3.67 Q**

**Truck-mounted concrete pump with mixer**

**Romix system**

MN 101228.008



Note: Standard version. Dimensions and weights depend on boom, mixer and chassis.  
Dimensions in mm, MB-Actros as example

**Technical data**

<b>Boom TMM 24-3</b>			
Reach height		m	23.8
Horizontal reach	gross	m	20.0
	net	m	17.6
Reach depth max.		m	12.4
Unfolding height		m	6.9
End hose length		m	3
Number of arms			3
Folding system			Z fold (Z)
Delivery line			DN 125 – 5.5

<b>Pump TMP 60 Q</b>			
Output	m <sup>3</sup> /h		58
Delivery pressure	bar		25
Pumping hose	∅ mm		125

<b>Truck mixer HTM 704 P</b>			
Nominal capacity	m <sup>3</sup>		7
Total capacity	m <sup>3</sup>		11.5
Filling ratio	%		63
Power consumption	kW		52
Drum speed	rpm		1-14
Pressure tank for water	l		650

Maximum outputs of 58 m<sup>3</sup>/h and maximum concrete pressures of 25 bar may be achieved, depending on the equipment of the machine.

It is not possible to achieve maximum outputs and maximum concrete pressures simultaneously.

All data maximum theoretical.

