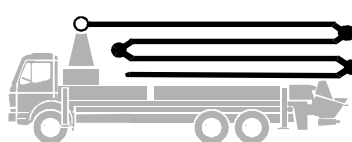


Truck-mounted concrete pump

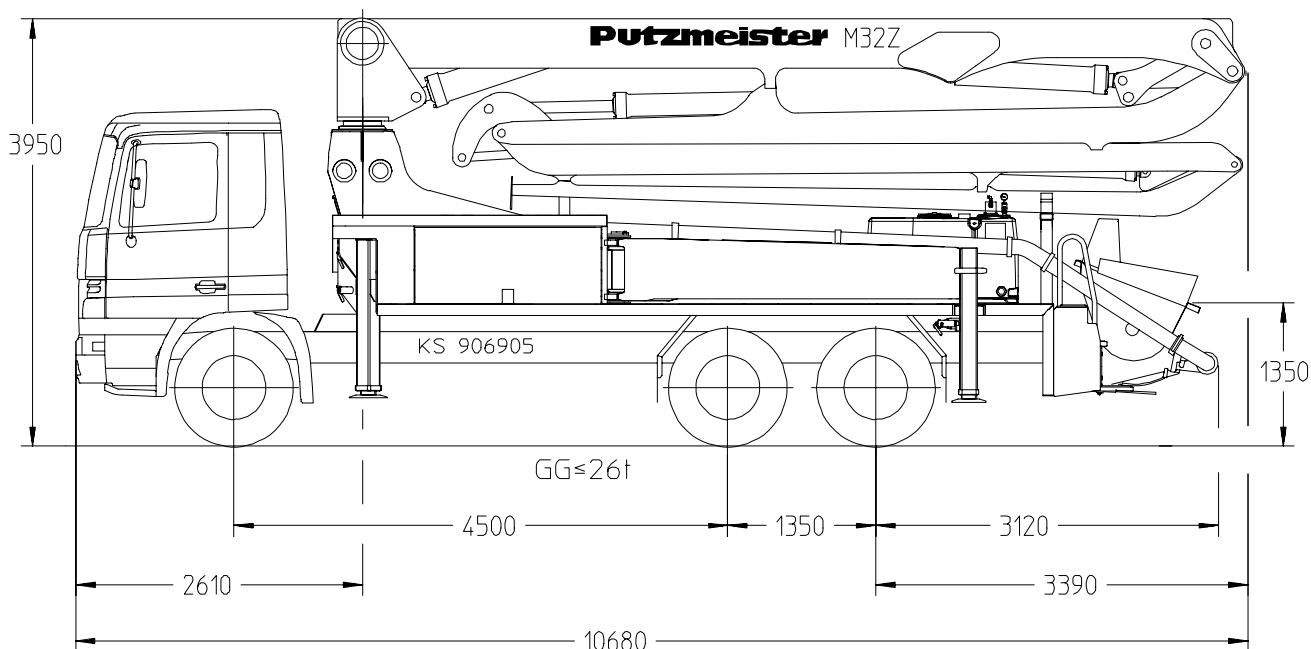
BSF 32-4.14 H

Output up to 160 m³/h
Delivery pressure up to 130 bar



.16 H

.16 H LS



Note: Standard version. Dimensions and weights depend on truck, pump model and equipment.
Dimensions in mm, MB-Actros 2632 as example

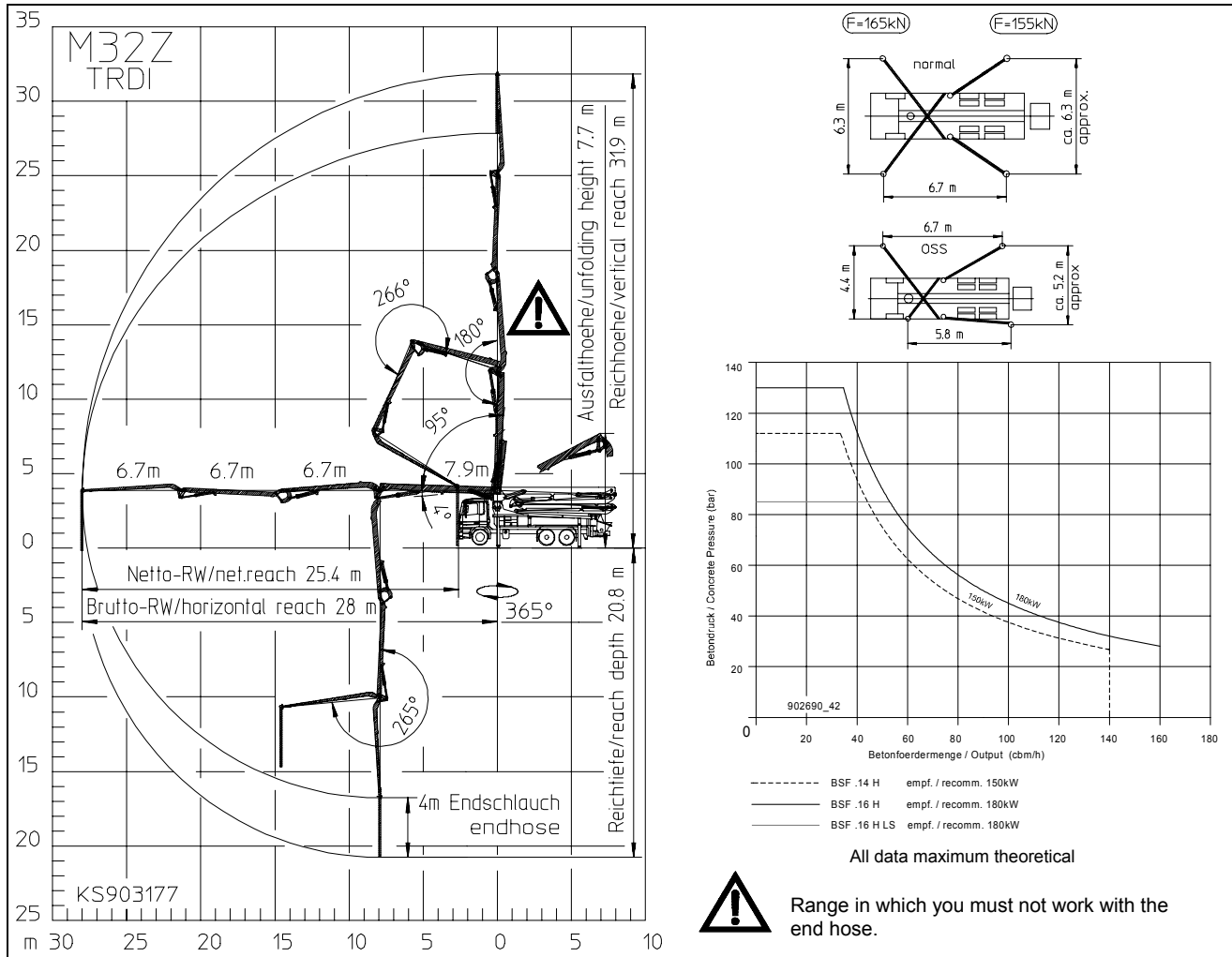
Technical Data

Boom M 32-4		
Reach height	m	31.9
Horizontal reach	gross	m 28.0
	net	m 25.4
Reach depth max.	m	20.8
Unfolding height	m	7.7
End hose length	m	4
Number of arms	4	
Folding system	Z -fold (Z)	
Delivery line	DN 125/5.5	

Pump		BSF	.14 H	.16 H	.16 H LS
Rod side	Output	m ³ /h	140	160	-
	Delivery pressure	bar	70	85	-
	Strokes	1/min.	27	31	-
Piston side	Output	m ³ /h	88	108	160
	Delivery pressure	bar	112	130	85
	Strokes	1/min.	17	21	26
	Delivery cylinder	∅ mm	230	230	250
	Stroke	mm	2100	2100	2100

Delivery line boom max. 85 bar.
All data maximum theoretical.

Reach information diagram, Support, Performance diagram



Delivery scope

	Standard	Options Package *	Options Package Plus
support plates 4x in magazine	●		
concrete hopper RS 900 with agitator	●		
diagnose interfaces, central for electric and hydraulic	●		
EOC (Ergonic output control)	●		
EPS (Ergonic pump system)	●		
EGD (Ergonic Graphic Display)	●		
radio remote control with display	●		
remote control with 40 m cable	●		
central lubrication strip hopper	●		
rubber collar	●		
painting: arm assembly RAL 3020 signalred	●		
painting: pump MB 1227 chrome yellow	●		
flushing water pump 160 l/min 25 bar	●		
water tank	●		
concrete line DN125/5.5, 133x4	●		
concrete line DN125/5.5, PM 22 twin layer		●	
concrete line DN125/5.5, PM 252 Proline			●

	Standard	Options Package *	Options Package Plus
support plates 4x + timber wood 8x600 in magazine		●	●
traffic permission kit		●	●
splash guard foldable		●	●
lighting in toolbox		●	●
central lubrication hopper, electrical		●	●
horn at the boom		●	●
working search light on boom for hopper illumination			●
spotlights 4x for illumination support area			●
flashlights for 4 support legs front and rear			●
high pressure water pump 100 bar with dry-run protection			●
vibrator, electrical			●
hard metal wear parts kit			●

* recommended in Europe
special: Ergonic Boom Control EBC
One Side Support OSS

Please see quotation for exact serial delivery scope.